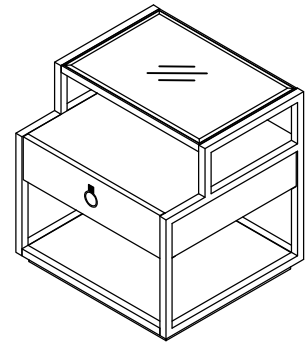


**Warning :**

- Be sure to check all packing material carefully for small parts, which may have come loose inside the carton during shipment.
- To prevent possible scratches and damage, this furniture **MUST BE ASSEMBLED BY TWO PEOPLE** on a soft surface such as a blanket or carpet.

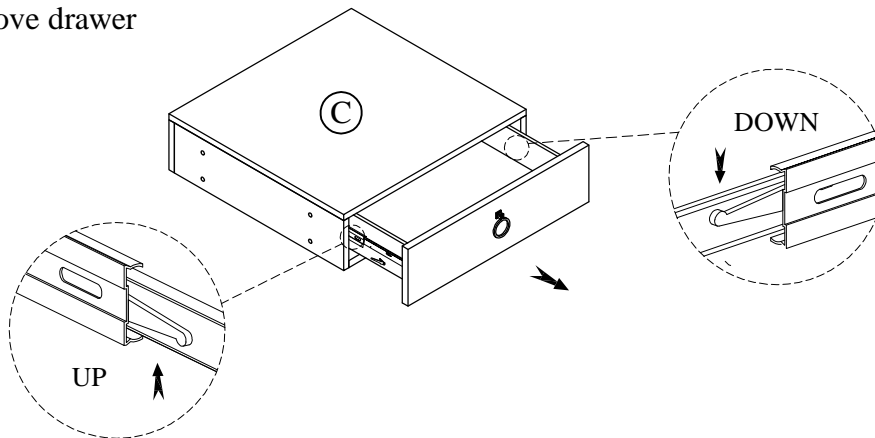


50308  
Rectangle End Table

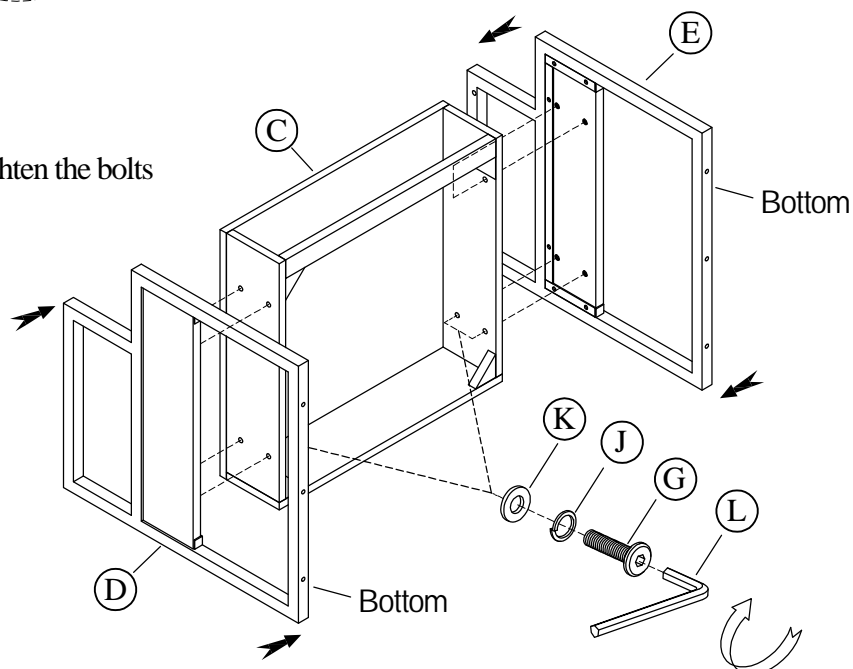
**Components and Hardware List**

<p>Glass</p> <p>(A) 1 pc.</p>	<p>Top Frame</p> <p>(B) 1 pc.</p>	<p>Storage Box</p> <p>(C) 1 pc.</p>	<p>Leg Frame (Left)</p> <p>(D) 1 pc.</p>	<p>Leg Frame (Right)</p> <p>(E) 1 pc.</p>		
<p>Bottom Frame</p> <p>(F) 1 pc.</p>	<p>Allen Head Bolt Ø1/4"-20 x 1-3/8"</p> <p>(G) 8 pcs.</p>	<p>Allen Head Bolt Ø1/4"-20 x 5/8"</p> <p>(H) 6 pcs.</p>	<p>Pan Allen Head Bolt Ø1/4"-20x 5/8"</p> <p>(I) 4 pcs.</p>	<p>Spring Washer Ø1/4"</p> <p>(J) 14 pcs.</p>	<p>Flat Washer Ø1/4" x 16*2mm</p> <p>(K) 14 pcs.</p>	<p>Allen Key 4mm</p> <p>(L) 1 pc.</p>

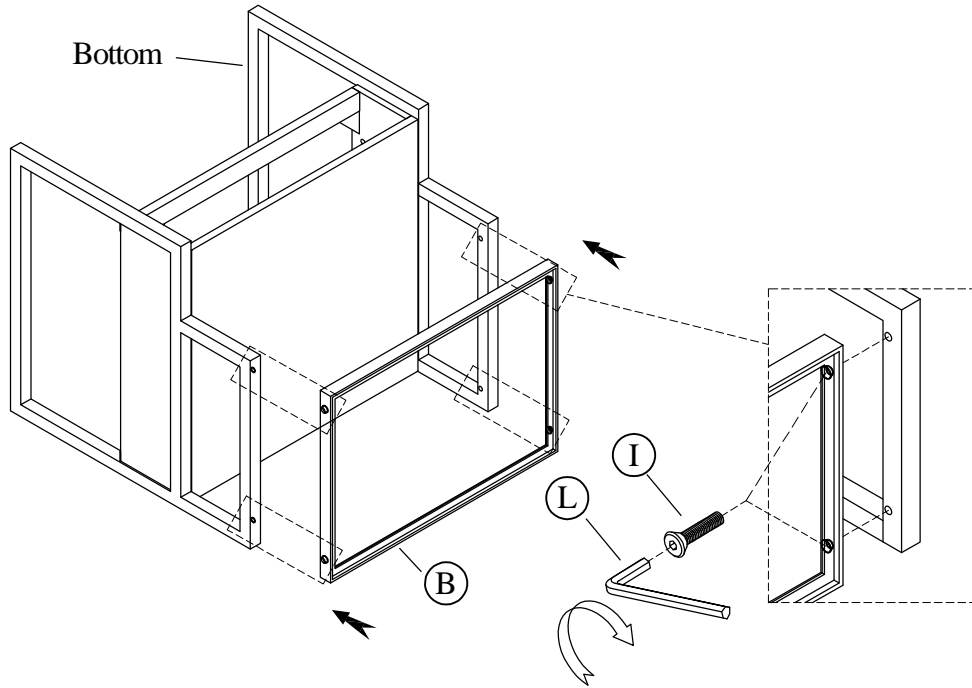
**STEP 1: Remove drawer**



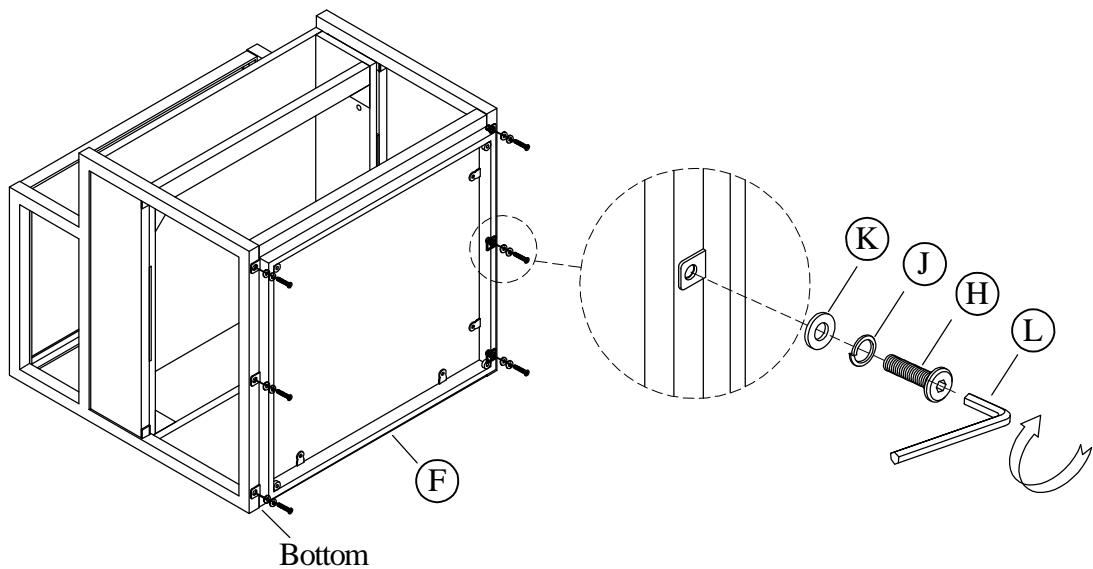
**STEP 2: Do not fully tighten the bolts**



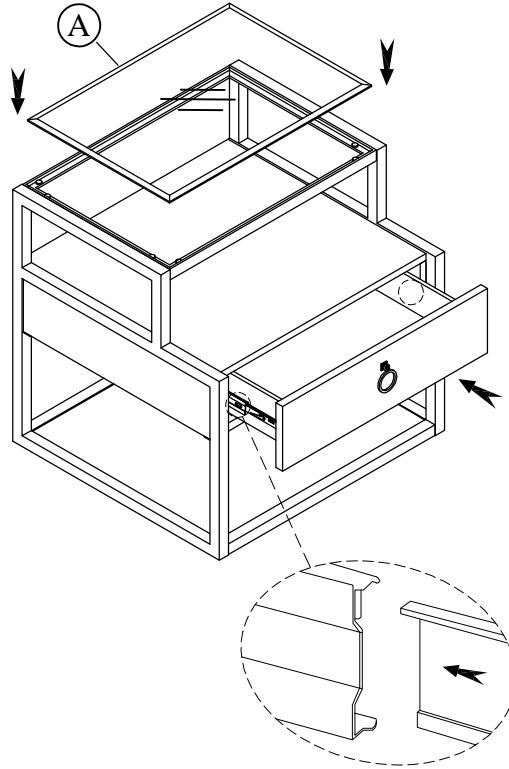
STEP 3: Do not fully tighten the bolts



STEP 4: Using the Allen key to tighten all bolts



**STEP 5: Assemble Drawer**



**STEP 6:**

